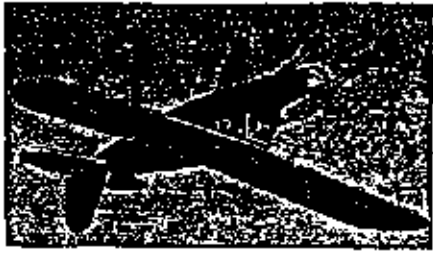
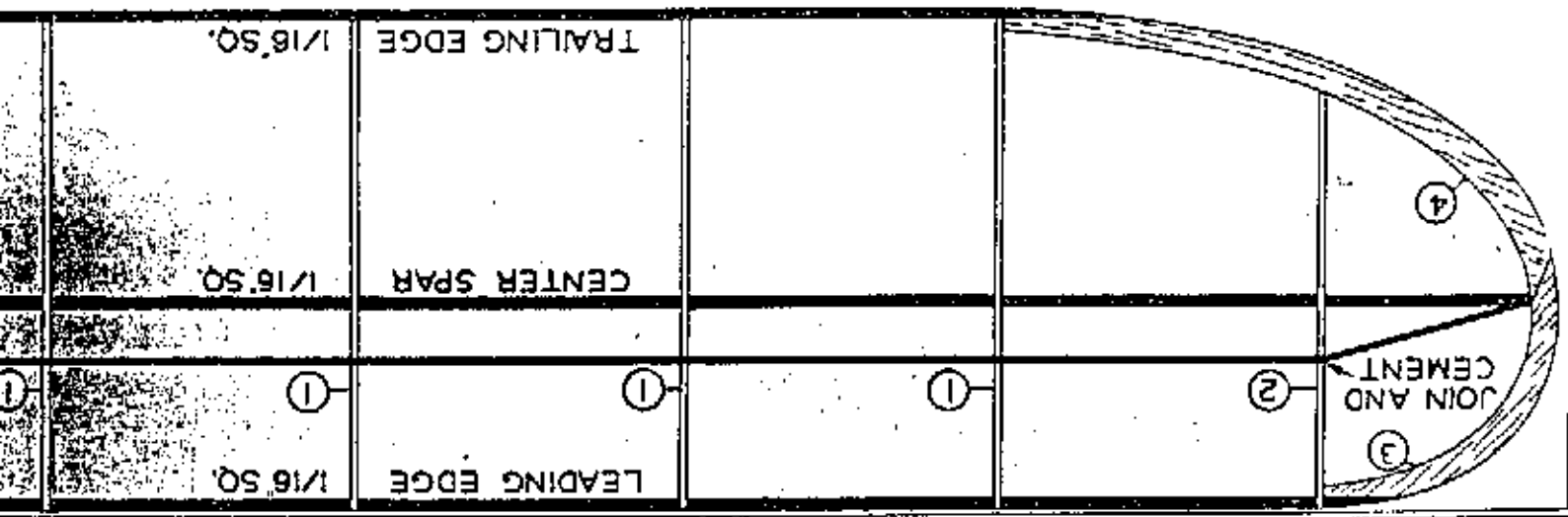
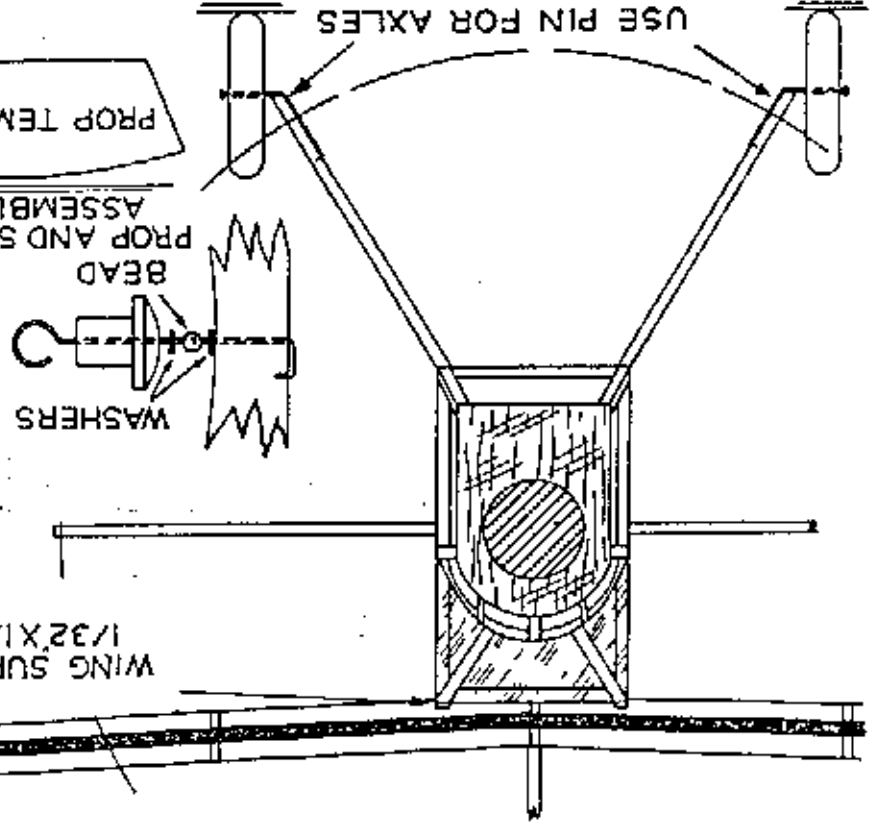
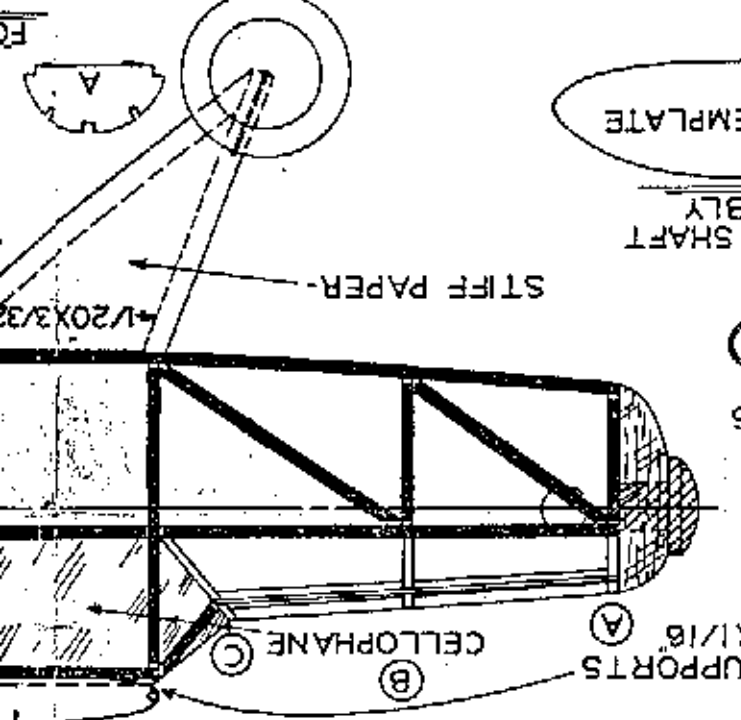
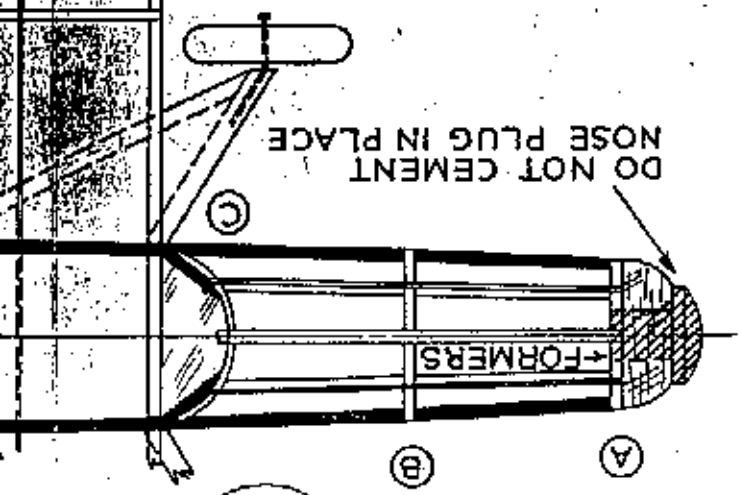


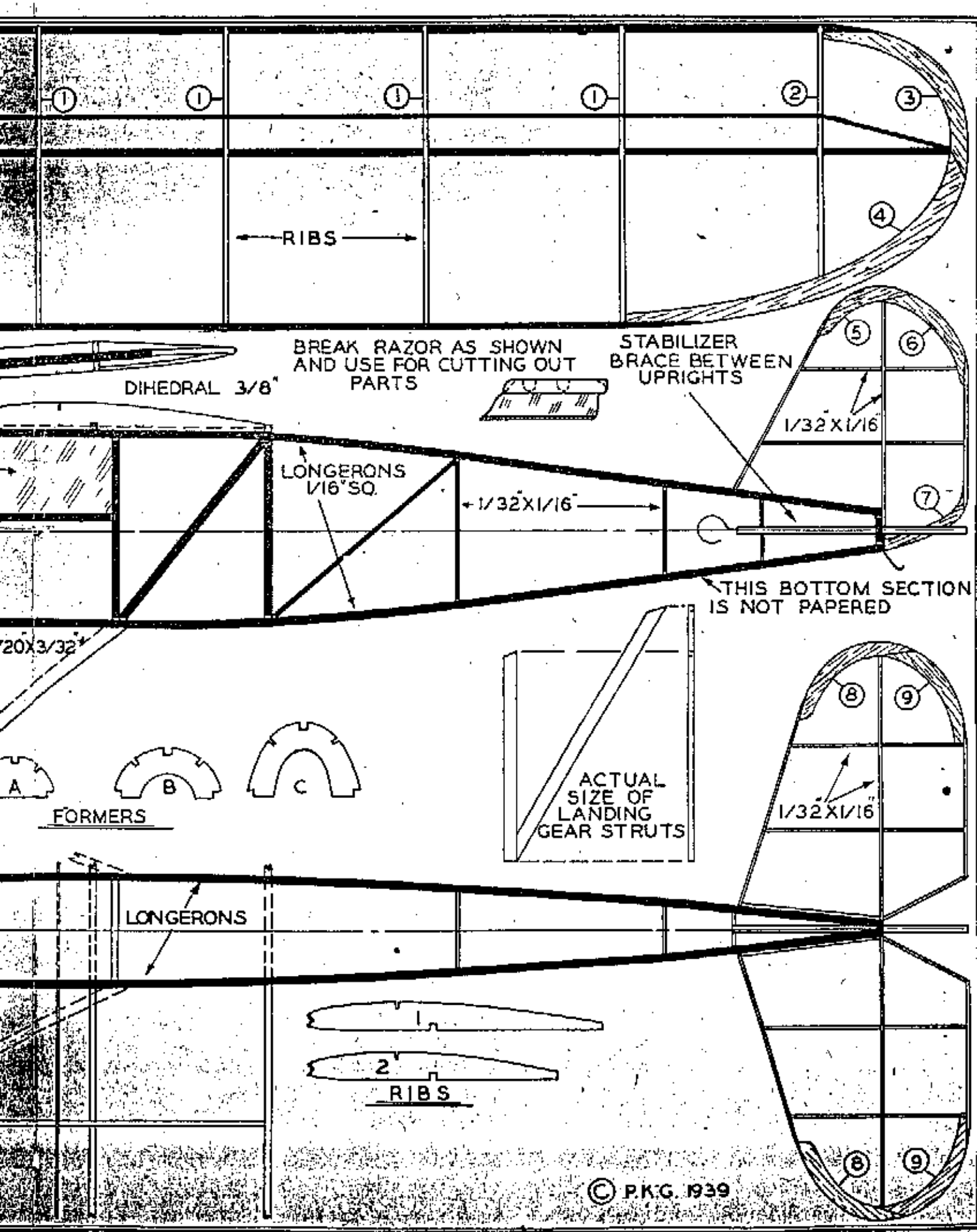
SPORT NO.-F61

16 INCH WING SPREAD



DO NOT CEMENT NOSE PLUG IN PLACE



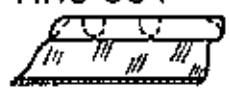


① ① ① ① ② ③

← RIBS →

DIHEDRAL $3/8^\circ$

BREAK RAZOR AS SHOWN AND USE FOR CUTTING OUT PARTS



STABILIZER BRACE BETWEEN UPRIGHTS

$1/32 \times 1/16$

LONGERONS $1/16$ " SQ.

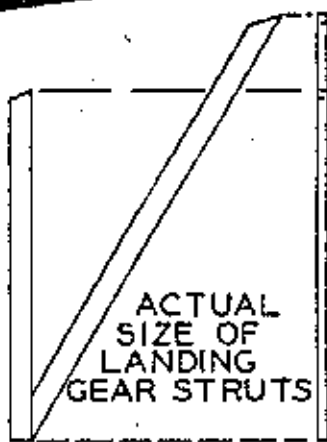
$1/32 \times 1/16$

THIS BOTTOM SECTION IS NOT PAPERED

$20 \times 3/32$



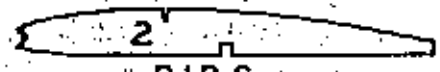
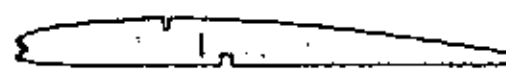
FORMERS



ACTUAL SIZE OF LANDING GEAR STRUTS

$1/32 \times 1/16$

LONGERONS



RIBS